

**AMANO®**

# TCX-21

**Electronic Time Recorder**

## Service Parts List



---

Amano Cincinnati Inc. reserves the right to make equipment changes and improvements that may not be reflected in this document. Portions of this document may have been updated to include the latest hardware or firmware version, if applicable.

**Proprietary Notice**

This document contains proprietary information and such information may not be reproduced in whole or in part without written permission from:

Amano Cincinnati, Inc.  
140 Harrison Avenue  
Roseland, New Jersey, 07068

For more information about Amano's complete line of products, visit our web site at:

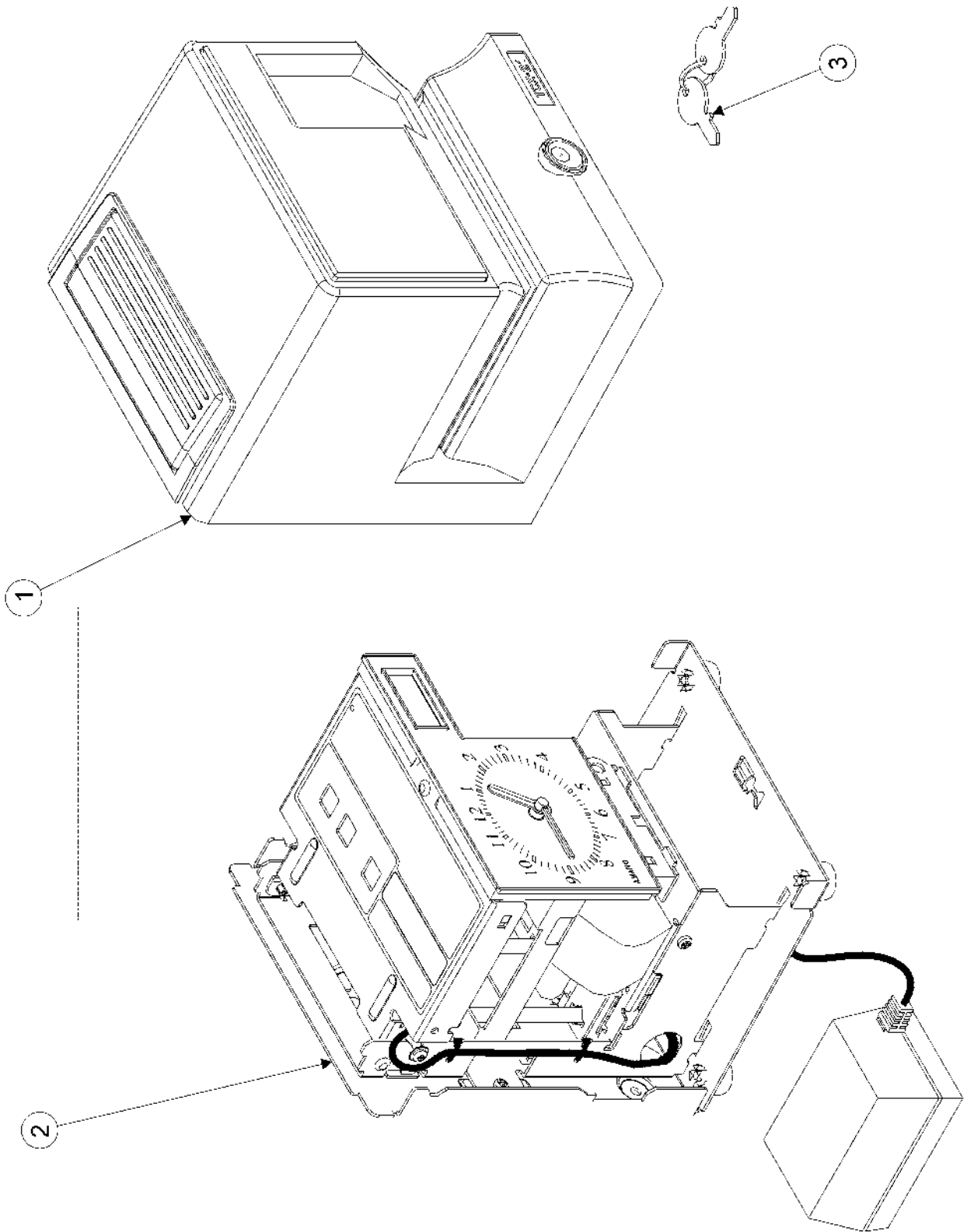
**[www.amano.com](http://www.amano.com)**

# Table of Contents

---

<b>Total Assembly .....</b>	<b>1</b>
<b>Cover Case Assembly .....</b>	<b>3</b>
<b>Base Assembly .....</b>	<b>5</b>
<b>Base/Wall Mount Plate Assembly .....</b>	<b>7</b>
<b>PCB Bracket Assembly .....</b>	<b>9</b>
<b>Clock Face Assembly .....</b>	<b>11</b>
<b>Platen Assembly .....</b>	<b>13</b>
<b>Card Stopper Assembly .....</b>	<b>15</b>
<b>Printer Assembly .....</b>	<b>17</b>

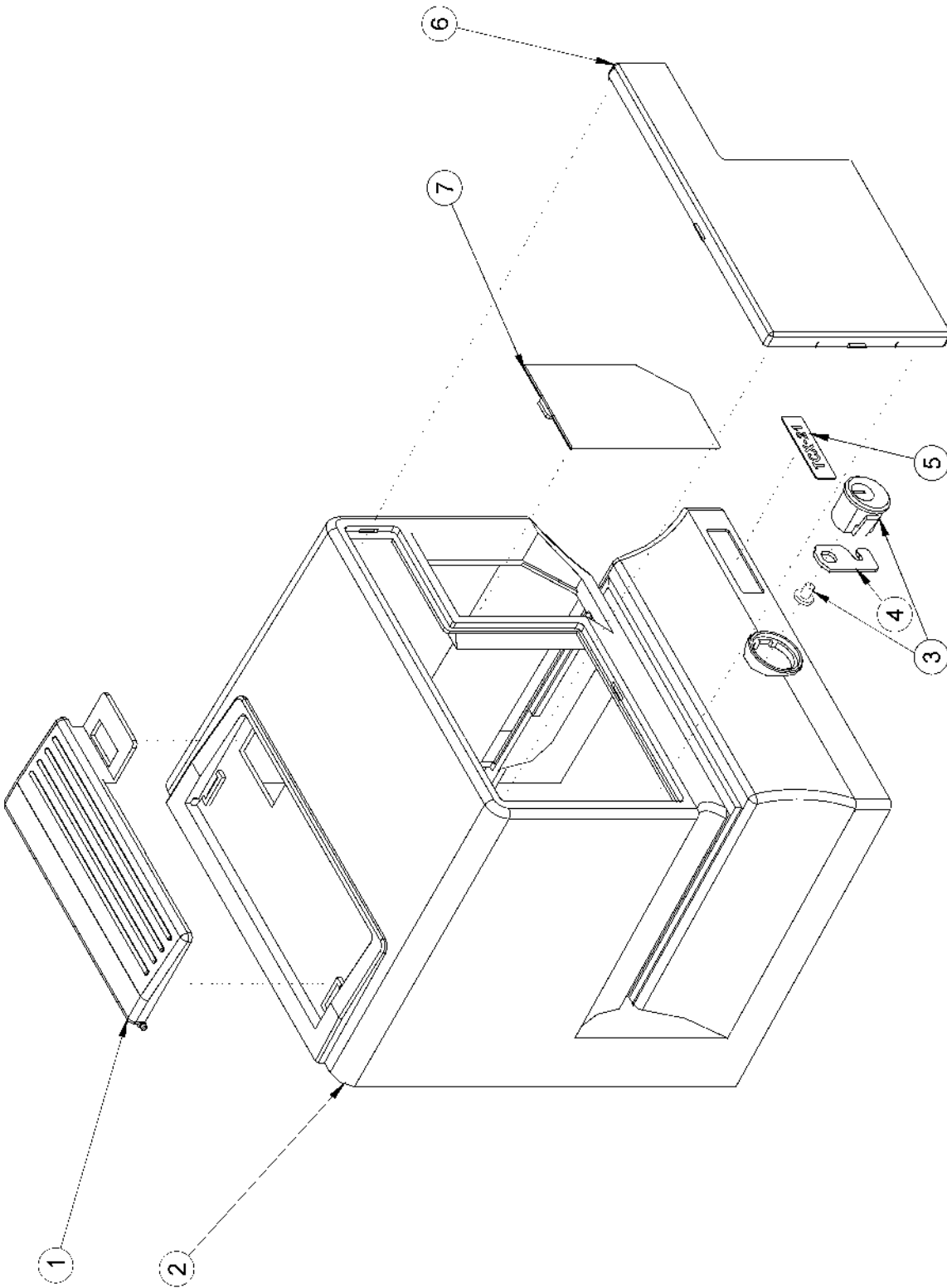
# Total Assembly



## Total Assembly

No.	Part No.	Description	Qty. Per
1	AJR-305170	COVER CASE ASSEMBLY	1
2	AJR-306180	BASE ASSEMBLY (TCX-21)	1
3	C-459150	KEY ASSEMBLY (#700 KEY)	1

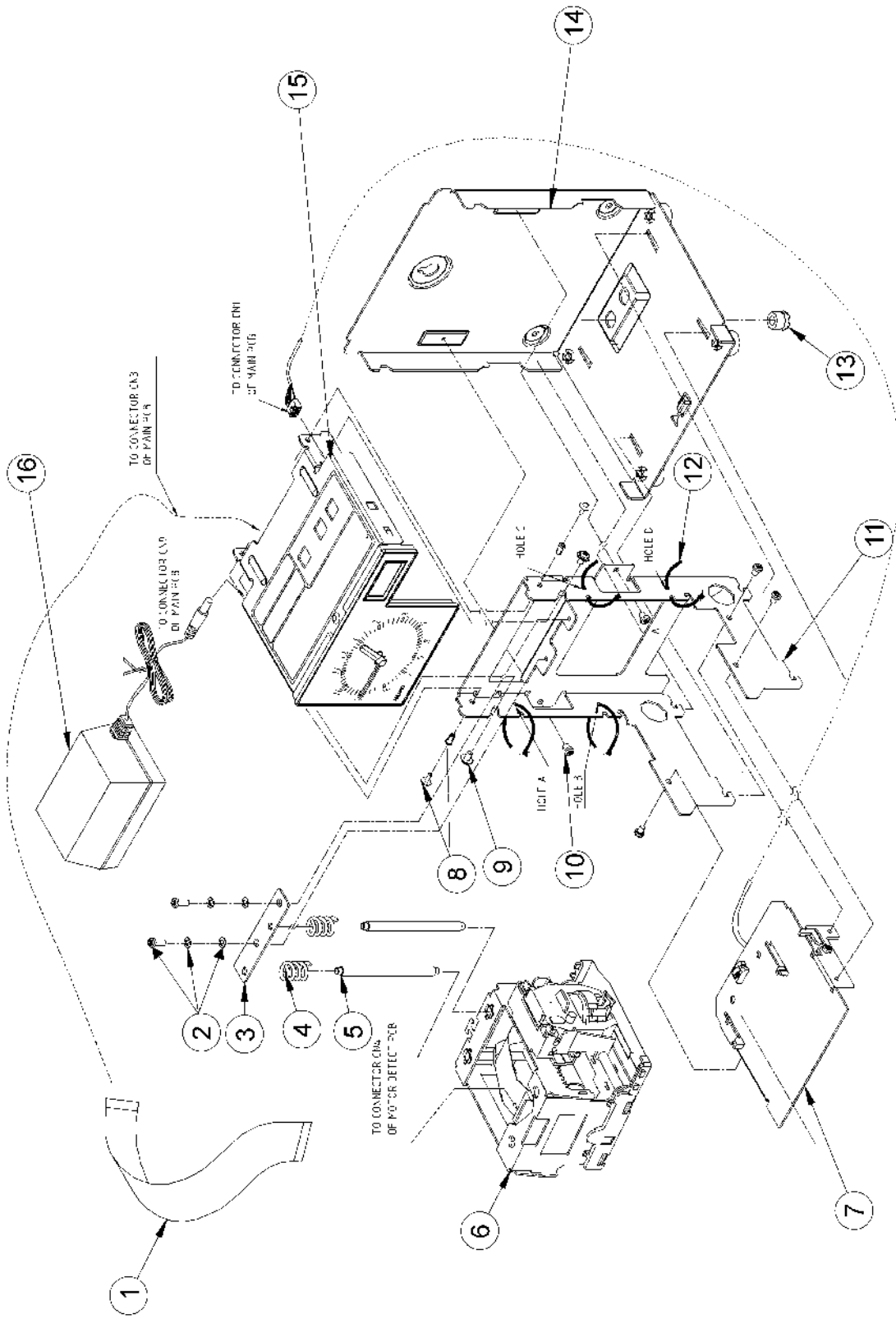
# Cover Case Assembly



## Cover Case Assembly

No.	Part No.	Description	Qty. Per
1	AJR-305200	BUTTON	1
2	AJR-305100	COVER CASE	1
3	C-435401	LOCK WITH SCREW (SCREW P/N UFJ-400899)	1
4	AJR-301500	LATCH HOOK (TCX)	1
5	ACC-300731	TCX-21 NAME PLATE	1
6	AJR-300500	CLOCK WINDOW (TCX)	1
7	AJR-301100	PRINTER WINDOW (TCX)	1

# Base Assembly

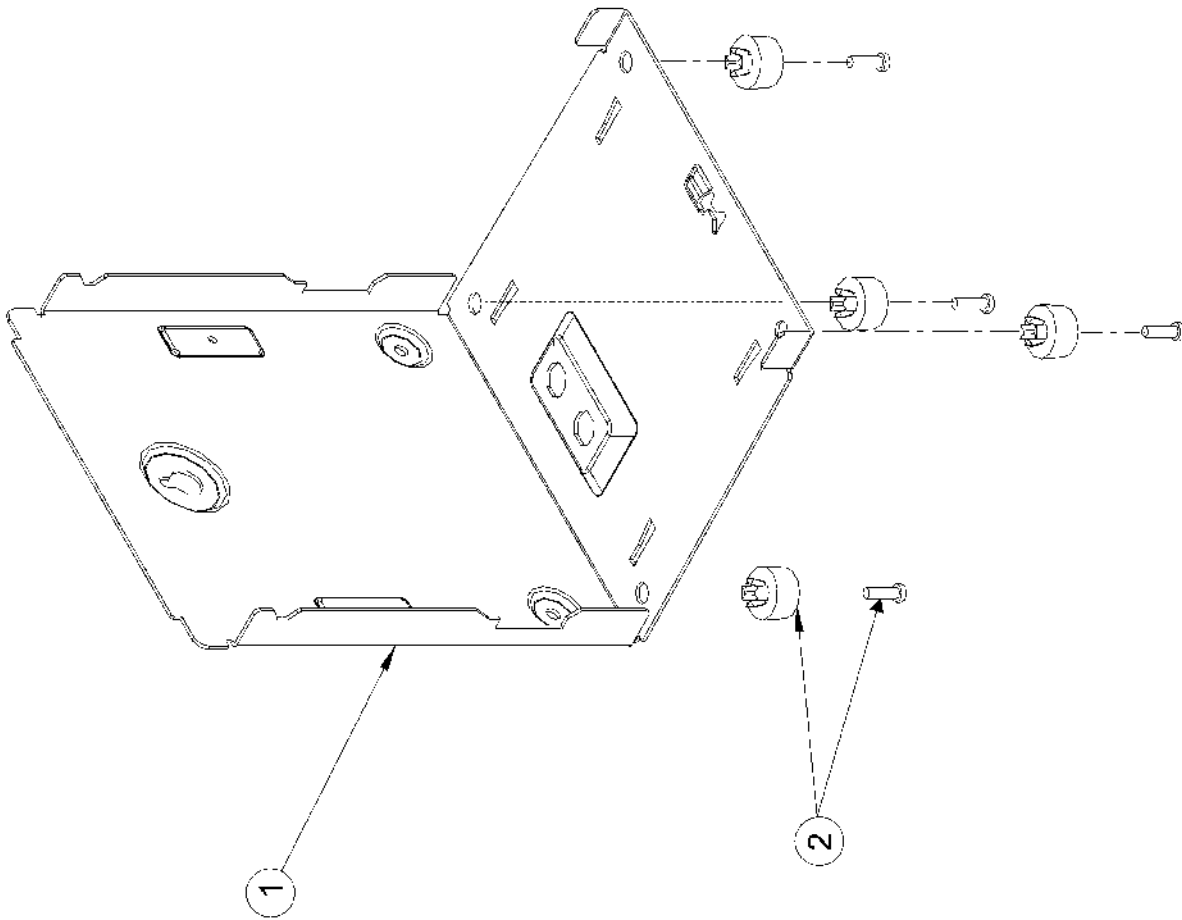


## Base Assembly

No.	Part No.	Description	Qty. Per
1	ATE-020350	FLEX CABLE (TCX)	1
2	YBG-4010	SCREW LOCK WASH ASSEMBLY	2
3	AJR-300600	ADJUSTING PLATE (TCX)	1
4	ACC-600320	COMPRESSION SPRING	2
5	AJR-303100	GUIDE SHAFT (TCX)	2
6	AJR-201370	PRINTER ASSEMBLY	1
7	AJR-306250	PLATEN ASSEMBLY (TCX-21)	1
8	RTB-4050	PLASTIC RIVET	2
9	SUG-4005	SCREW-ZINC D=4mm, L=5mm	2
10	STG-4005	CROSS HEAD SCREW D=4mm, L=5mm	5
11	AJR-301301	FRAME (TCX)	1
12	ECA-190011	CABLE TIE	4
13	ACC-500330	STRAIN RELIEF BUSHING (TCX)	1
14	AJR-301250	BASE/WALL MNT PLATE SUB ASSEMBLY	1
15	AJR-305450	PCB BRACKET ASSEMBLY (TCX-21)	1
16*	EOE-104010	WALL MOUNTED TRANSFORMER 120V	1
16a	EOE-108370	WALL MOUNTED TRANSFORMER 120V	1

\*Use 16a (EOE-108370) from S/N 324111435 on.

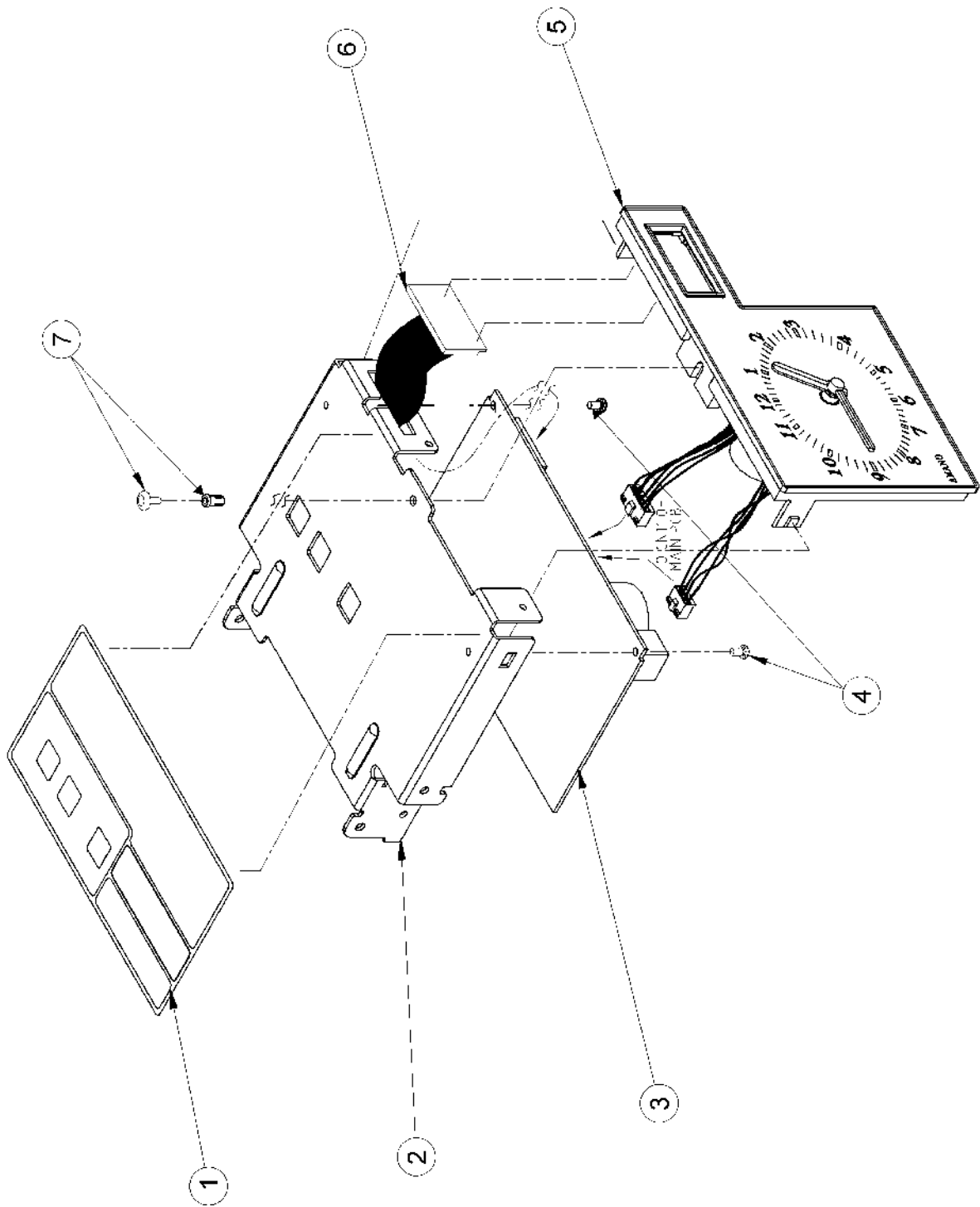
# Base/Wall Mount Plate Assembly



## Base/Wall Mount Plate Assembly

No.	Part No.	Description	Qty. Per
1	AJR-301200	BASE/WALL MOUNT PLATE (TCX)	1
2	ACC-500560	RUBBER FOOT SFF-018	4

# PCB Bracket Assembly

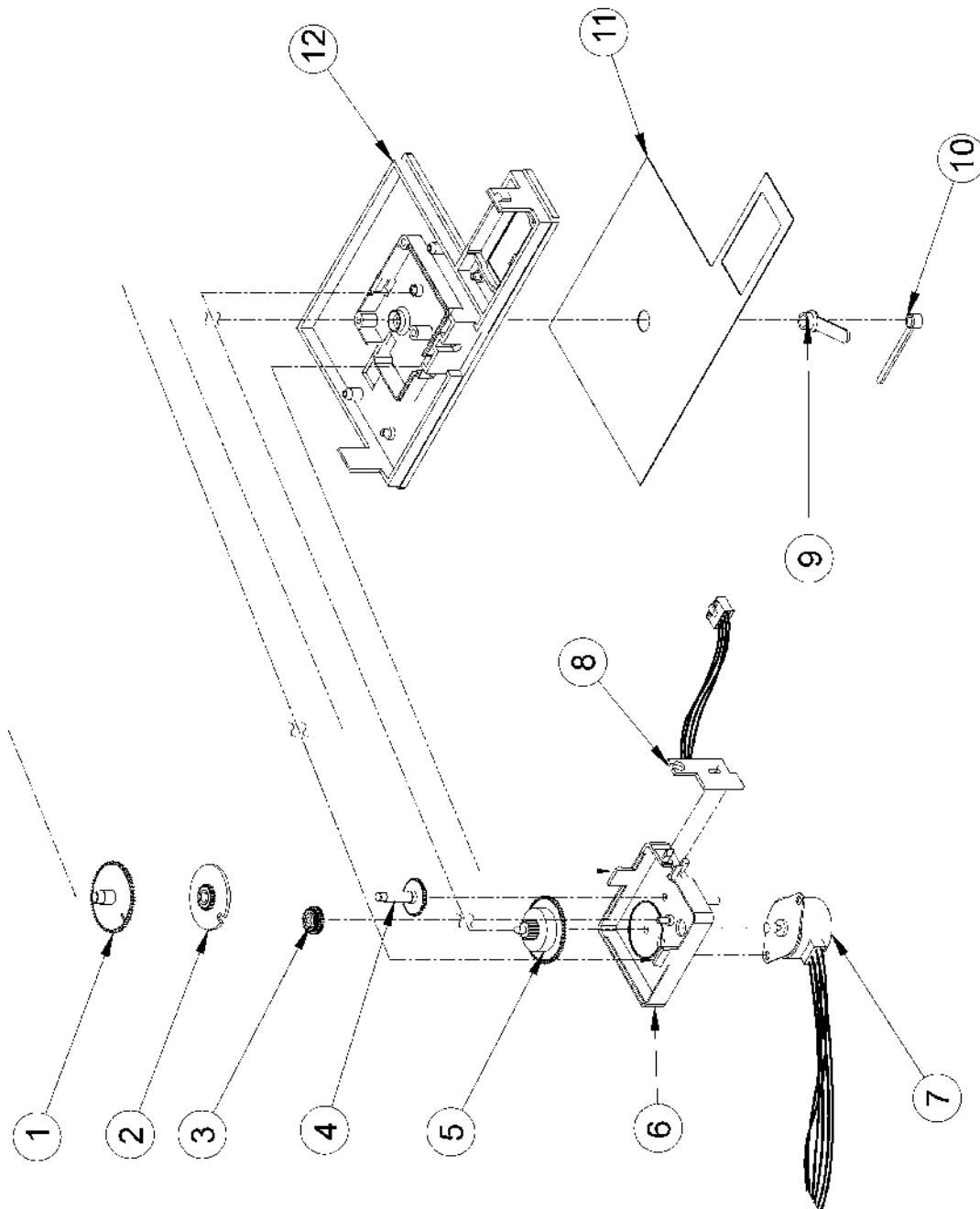


## PCB Bracket Assembly

No.	Part No.	Description	Qty. Per
1	AJR-305400	PROGRAMMING INST. LABEL TCX-21	1
2	AJR-301600	PCB BRACKET (TCX)	1
3*	AJR-308650	ADPM-3A MAIN PCB ASSY. TCX-21	1
3a	AJR-330351	ADPM-3A MAIN PCB ASSY. TCX-21	1
4	STG-3005	SCREW D-3mm, L-5mm	2
5	AJR-305350	CLOCK FACE ASSY. (TCX-21)	1
6	EDP-300440	LCD ASM. (PIX-10)	1
7	RTB-4080	PLASTIC RIVET	1

\*Use 3a (AJR-330351) from S/N 324111435 on.

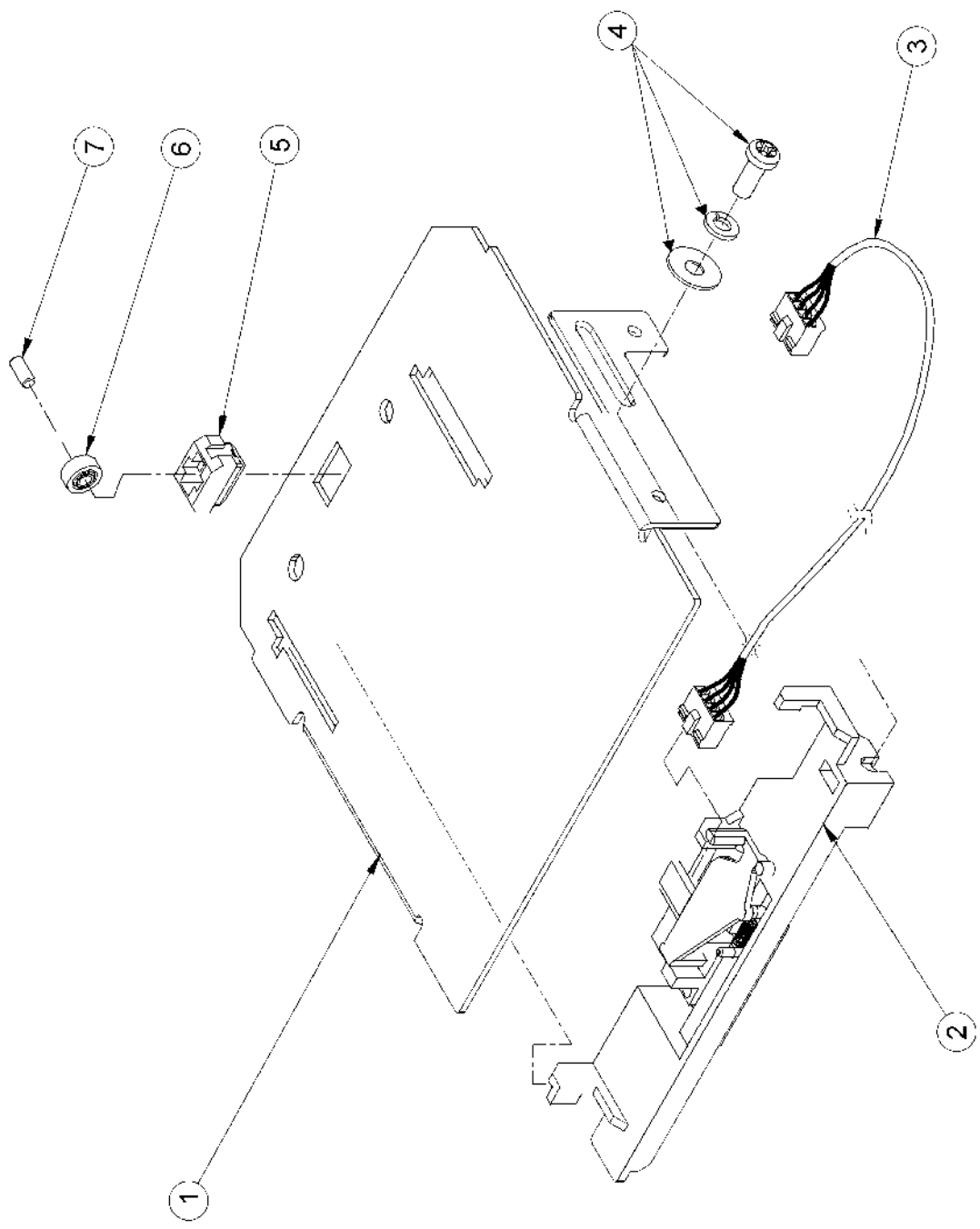
# Clock Face Assembly



## Clock Face Assembly

No.	Part No.	Description	Qty. Per
1	SR-335502	HOUR HAND GEAR	1
2	SR-335600	LIGHT INTERCEPTION PLATE	1
3	SR-335800	INTERMEDIATE GEAR (2)	1
4	SR-335903	MINUTE HAND GEAR	1
5	SR-336100	INTERMEDIATE GEAR (3)	1
6	SR-336502	CLOCK COVER	1
7	AJR-304951	STEPPING MOTOR ASSEMBLY	1
8	AJR-302470	CLOCK SENSOR ASSEMBLY (TCX)	1
9	AJR-300200	HOUR HAND (TCX)	1
10	AJR-300301	MINUTE HAND (TCX)	1
11	AJR-305700	DIAL FACE (TCX-21)	1
12	AJR-305300	CLOCK FACE (TCX-21)	1

# Platen Assembly

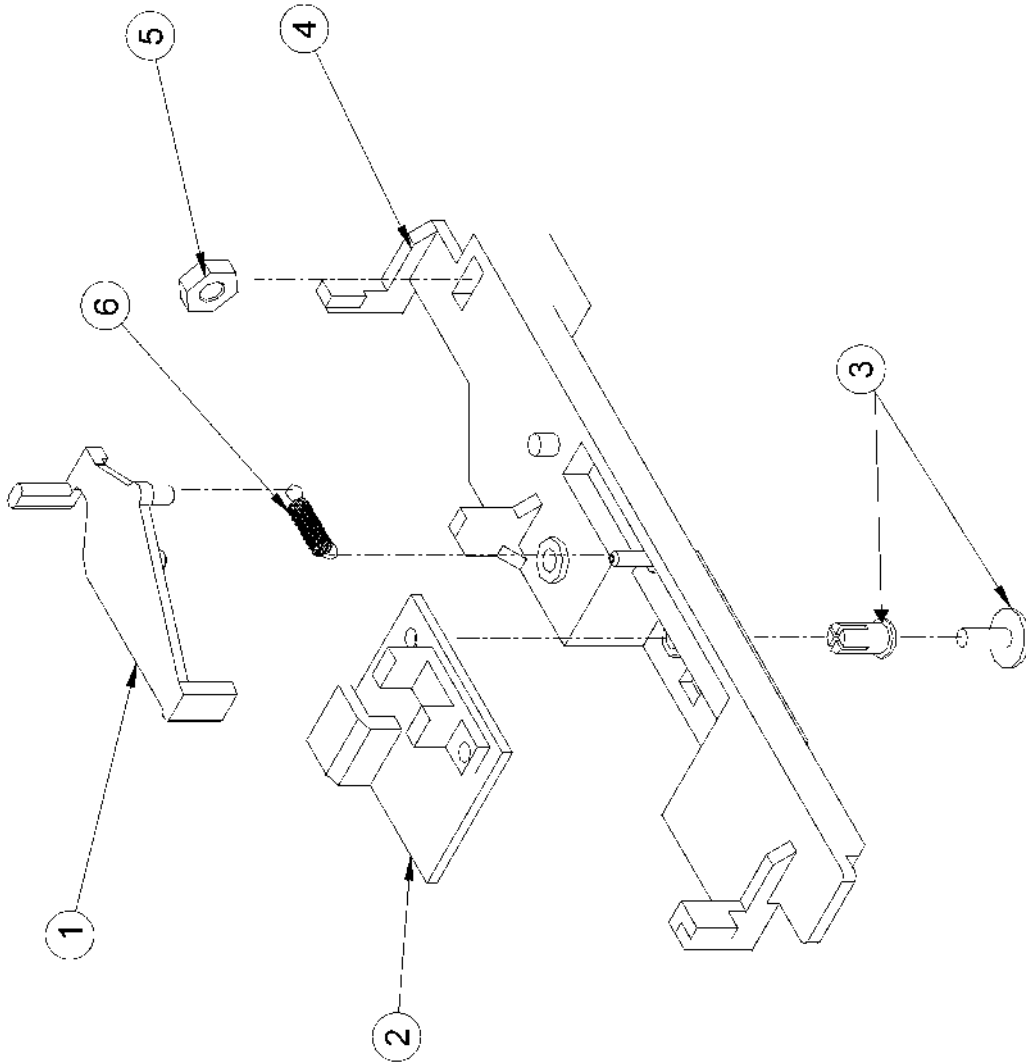


## Platen Assembly

No.	Part No.	Description	Qty. Per
1	AJR-301400	PLATEN (TCX)	1
2	AJR-305650	CARD STOPPER ASSEMBLY (TCX-11)	1
3*	AJR-301950	PAPER SENSOR CABLE ASSEMBLY	1
3a	AJR-303400	PAPER SENSOR CABLE ASSEMBLY	1
4	YBG-4010	SCREW LOCK WASHER ASSEMBLY	1
5	AJR-300400	ROLLER HOLDER (TCX)	1
6	AJR-122700	PLASTIC ROLLER	1
7	AJR-132800	ROLLER SHAFT	1

\*Use 3a (AJR-303400) from S/N 324111435 on.

# Card Stopper Assembly

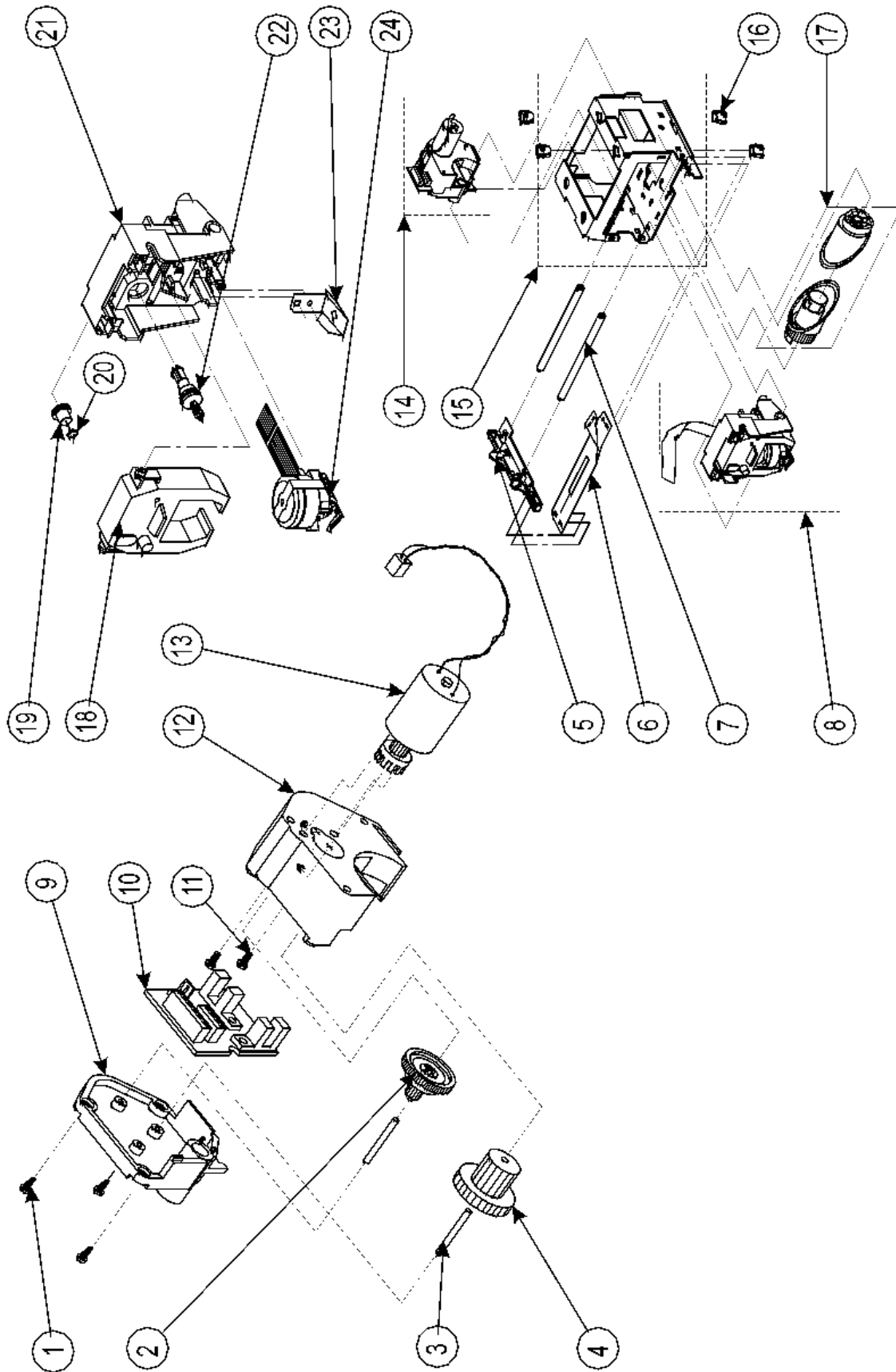


## Card Stopper Assembly

No.	Part No.	Description	Qty. Per
1	AJR-301000	PAPER DETECT LEVER	1
2*	AJR-304351	ADPS-2A PAPER SENSOR PCB ASSEMBLY	1
2a	AJR-304352	ADPS-2A PAPER SENSOR PCB ASSEMBLY	1
3	RTB-3065	CF 600000, PLASTIC RIVET	1
4	AJR-305600	CARD STOPPER GUIDE (TCX-21)	1
5	NAG-4032	NUT T=4mm, l=3.2mm	1
6	ACC-600330	TENSION SPRING PIX-20	1

\*Use 2a (AJR-304352) from S/N 324111435 on.

# Printer Assembly



## Printer Assembly

No.	Part No.	Description	Qty. Per
1	UFJ-30142V	SELF TAPPING SCREW	3
2	AJR-120901	GEAR (1)	1
3	SR-212301	MIDDLE GEAR SHAFT	2
4	AJR-121000	GEAR (2)	1
5	AJR-122101	UPPER GUIDE FRAME	1
6	AJR-122200	RIBBON SHIELD	1
7	AJR-121700	PRINTER HEAD SHAFT	2
8	AJR-201350	PRINTER SUB ASSEMBLY	1
9	AJR-121201	GEAR BOX (LEFT)	1
10	AJR-201750	APXD MOTOR DETECT PCB ASSEMBLY	1
11	IBG-3006	CROSS HEAD SCREW WITH WASHER	2
12	AJR-120600	GEAR BOX (RIGHT)	1
13	AJR-120870	MOTOR ASSEMBLY SIDE PRINTER	1
14	AJR-201551	GEAR BOX ASSEMBLY	1
15	AJR-120152	PRINTER FRAME ASSEMBLY	1
16	AJR-120400	SLIDE BUSHING	4
17	AJR-121450	CYLINDRICAL CAM ASSEMBLY	1
18	CE-315101	RIBBON CASSETTE (SINGLE)	1
19	SR-213301	RIBBON ADVANCE GEAR	1
20	IR-322501	CLUTCH RING	1
21	AJR-207200	CARRIAGE (PIX-10/20)	1
22	SR-213201	RIBBON ADVANCE SHAFT	1
23	SR-213101	RIBBON GUIDE	1
24	CE-127004	DOT PRINTER HEAD ASSEMBLY	1

# Notes





# Central Time Clock

Since 1931

5-23 50th Avenue | Long Island City, NY 11101

P: 718.784.4900 F: 718-472-9491

[www.centraltimeclock.com](http://www.centraltimeclock.com)