

# AMANO®

## MJR-7000/7000EZ/8000 Series Electronic Time Recorder

### Service Parts List



---

Amano Cincinnati, Inc. reserves the right to make equipment changes and improvements which may not be reflected in this document. Portions of this document may have been updated to include the latest hardware or firmware version, if applicable.

This Service Parts List covers the High and Low Speed versions of MJR Series models 7000, 7000EZ, and 8000.

## **PROPRIETARY NOTICE**

---

This document contains proprietary information and such information may not be reproduced in whole or in part without written permission from Amano Cincinnati, Inc., 140 Harrison Avenue, Roseland, New Jersey, 07068.

# Table of Contents

---

**Cover Case Section . . . . . 2**

**Frame Section . . . . . 4**

**Keyboard Section . . . . . 6**

**Card Section . . . . . 8**

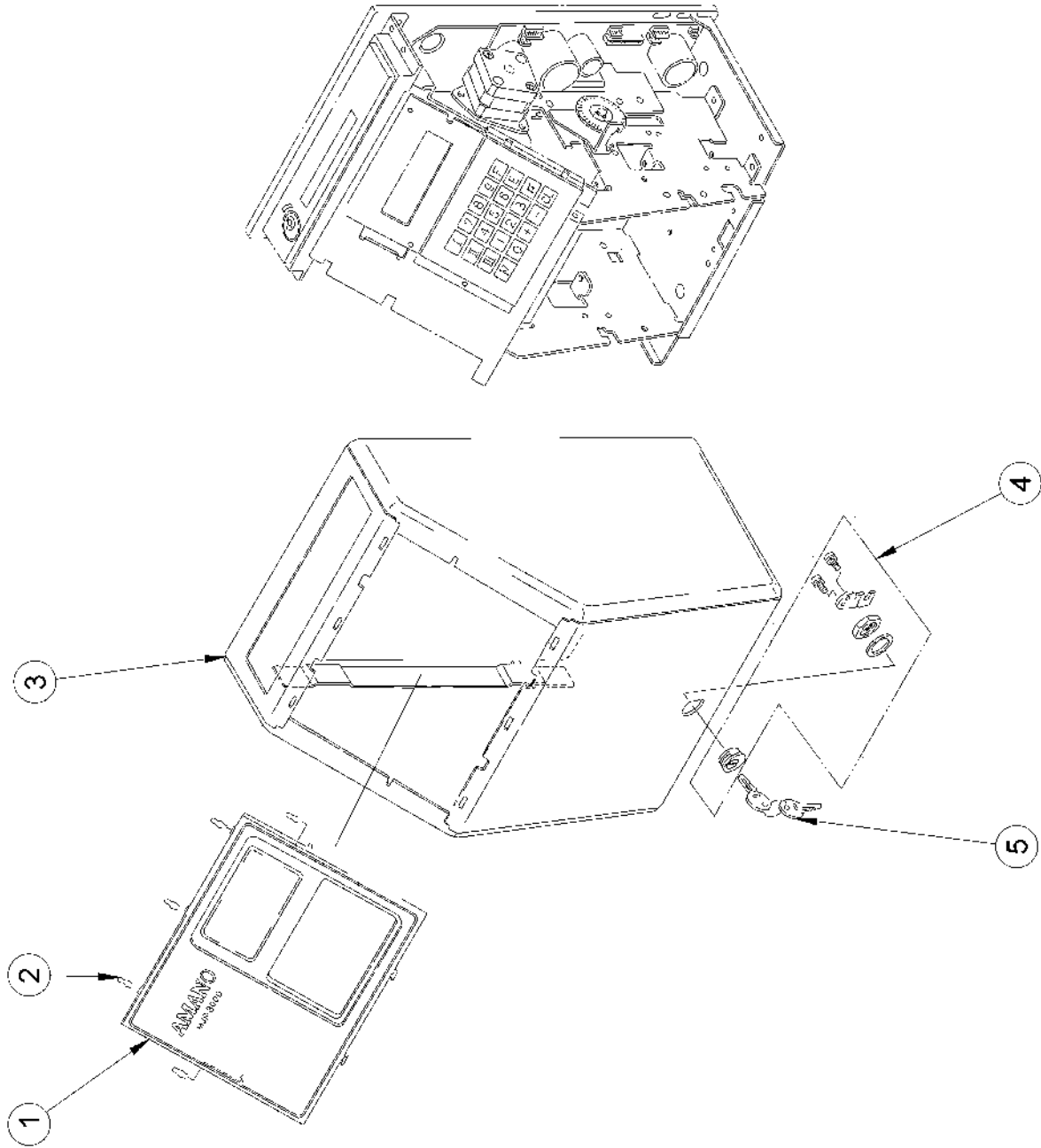
**Printer Section . . . . . 10**

**Sensor Section . . . . . 14**

**Electric Section . . . . . 16**

**Optional Section . . . . . 18**

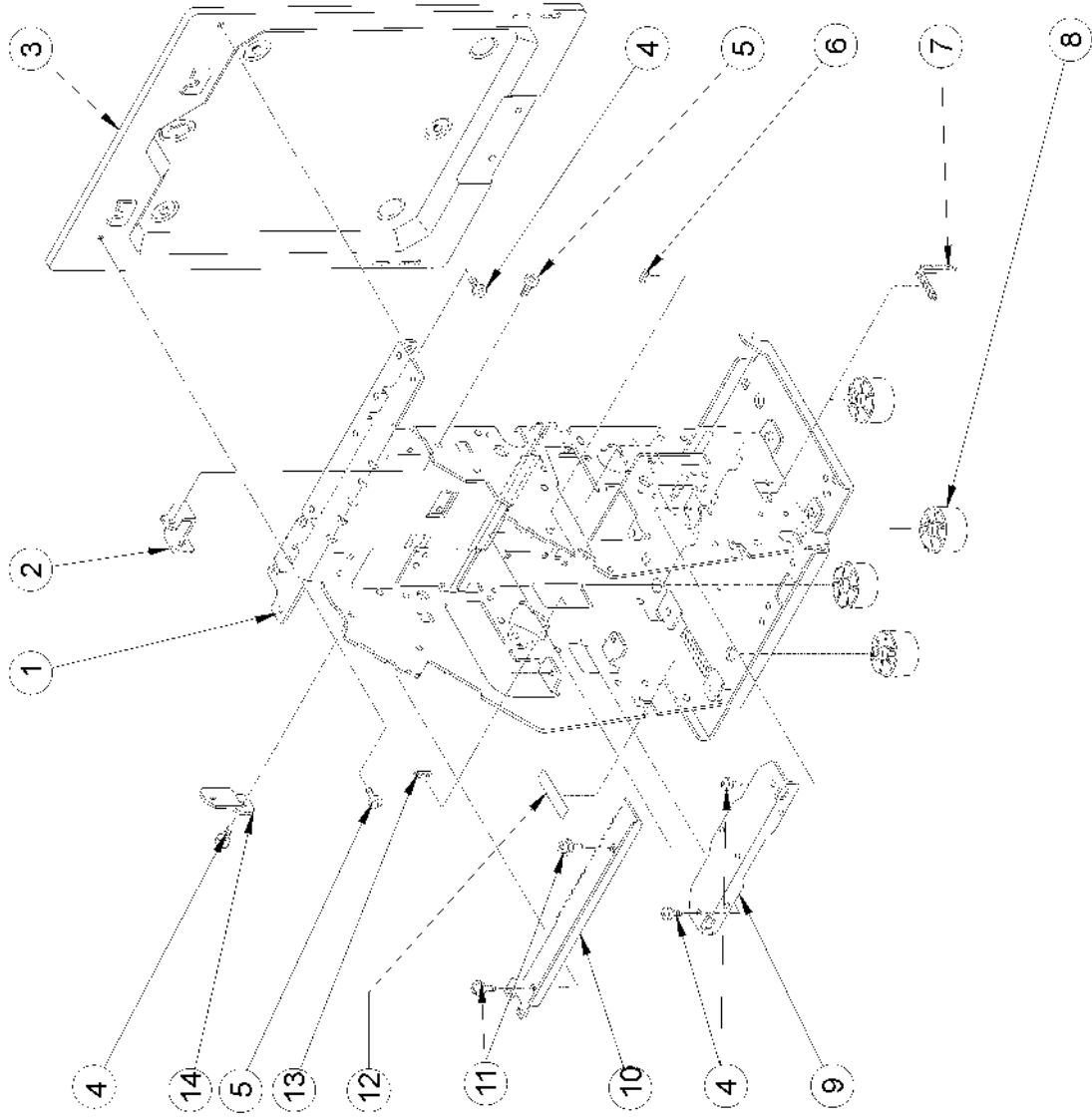
# Cover Case Section



## Cover Case Section

NO.	PART NO.	DESCRIPTION	QTY. PER
1	IR-500551 IR-571070	FRONT PANEL ASSEMBLY FOR MJR-8000 PANEL ASSEMBLY FOR MJR-7000	1
2	CAB-3006	CLIP T=3mm, l=6mm	5
3	IR-500000 AIR-500000	MJR-80/81 COVER CASE MJR-7000 COVER CASE	1
4	IR-501150	LOCK ASSEMBLY (COVER CASE) MJR	1
5	C-459150	KEY ASSEMBLY (#700 KEY)	1

# Frame Section



## Frame Section

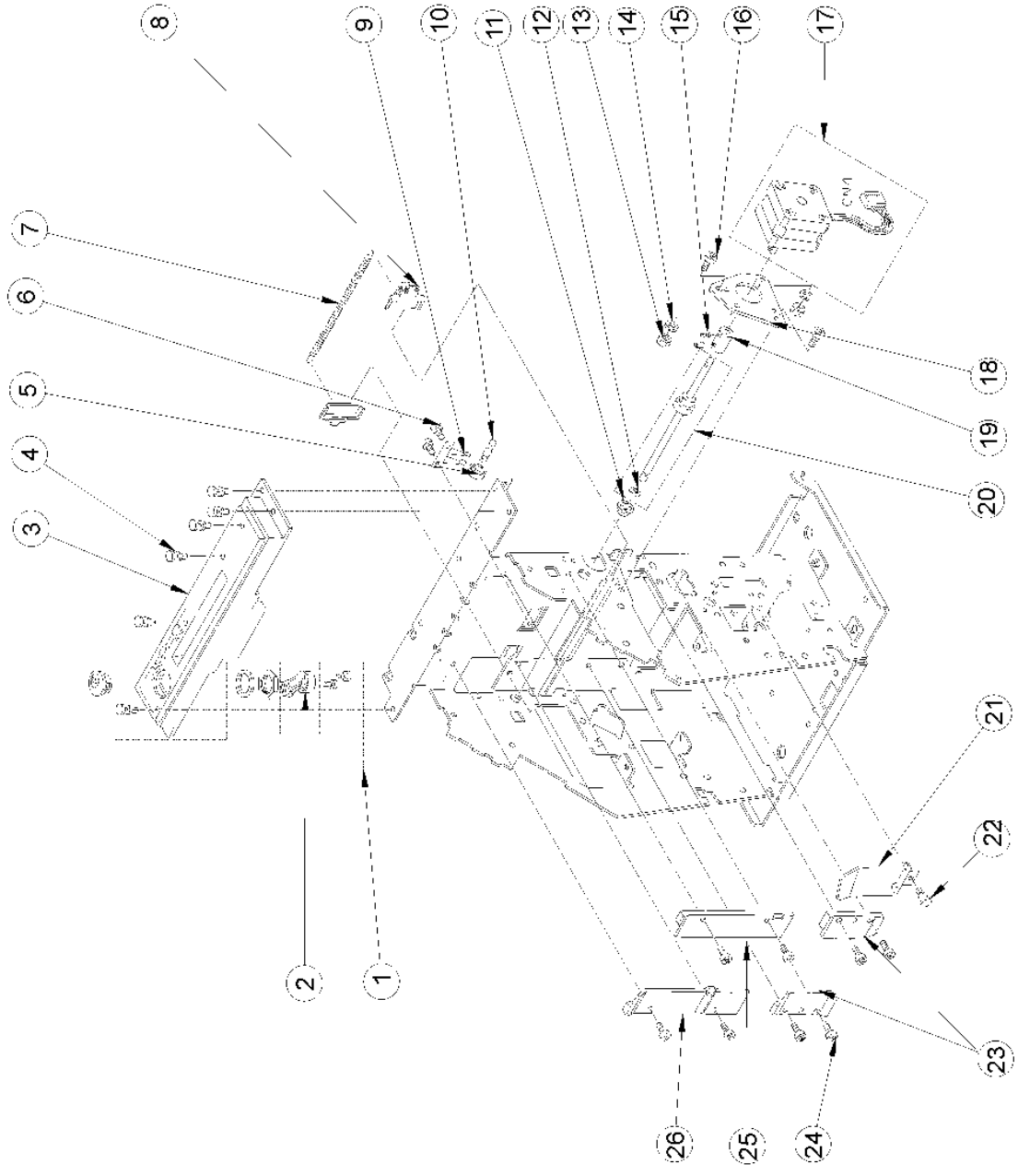
NO.	PART NO.	DESCRIPTION	QTY. PER
1	IR-500303	BASE	1
2	IR-502201	BRACKET (2)	1
3	IR-500200	BACK PLATE	1
4	UTJ-4006	SCREW D=4mm, L=6mm	4
5	STG-4006	CROSS HEAD SCREW D=4mm, L=5mm	2
6	EIS-400440	FLEXIBLE BUSHING	1
7	EIS-400420	FLEXIBLE BUSHING	1
8	C-425900	PLASTIC FOOT	4
9	IR-501201	REINFORCEMENT PLATE	1
10	IR-520002	PRINTER RACK	1
11	SUG-4006	SCREW D=4mm, L=6mm	2
12	ACC-300073	SERIAL NO. LABEL UL*CSA	1
13	EIS-400430	FLEXIBLE BUSHING	1
14	IR-502101	BRACKET (1)	1



## Keyboard Section

NO.	PART NO.	DESCRIPTION	QTY. PER
1	UT-J-3005	SCREW D=3mm, L=5mm	2
2	AXI-000550 AXI-000850	10 KEY ASSEMBLY (MJR-8000) 10 KEY ASSEMBLY (MJR-7000)	1
3	IR-500801	INDICATING PANEL WITHOUT TAPE	1
4	RTB-305500	PLASTIC RIVET	4
5	IR-500401	10 KEY BRACKET	1
6	C-410200	ROULETTE SCREW	1
7	IR-500650	DISPLAY P.C.B. ASSEMBLY	1
8	IR-500601	LCD MOUNTING PLATE	1
9	AXI-404150	JDP-2 DISPLAY P.C.B. ASSEMBLY (FOR SURFACE MNT.)	1
10	EPC-202992	JDF-1A FLEXIBLE CABLE	1

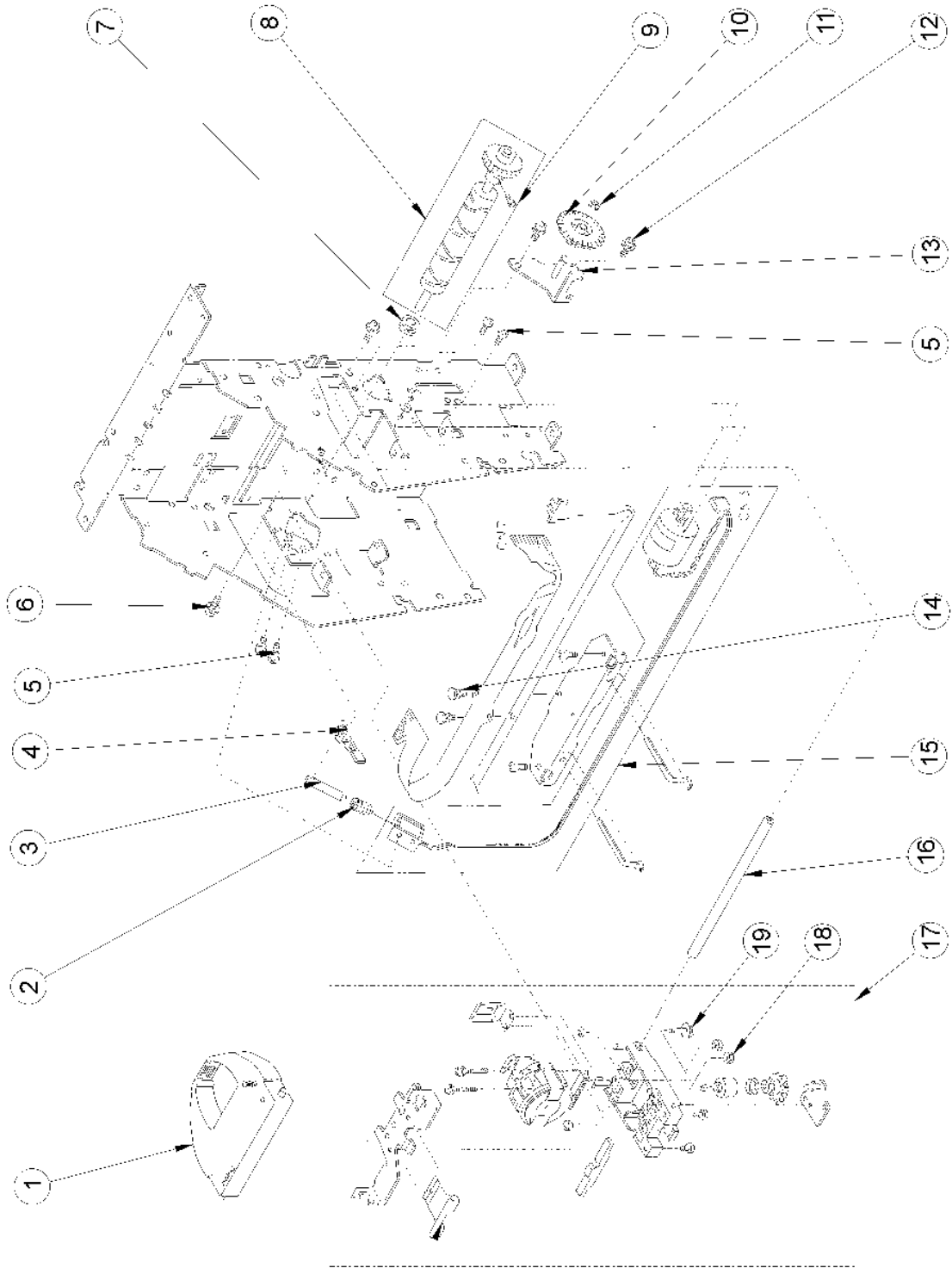
# Card Section



## Card Section

NO.	PART NO.	DESCRIPTION	QTY. PER
1	C-438600	LOCK (CARD POCKET) MJR	1
2	IR-501050	KEY HOOK ASSEMBLY (UPPER)	1
3	C-510003	CARD POCKET	1
4	RTW-305500	PLASTIC RIVET	6
5	AN-212700	BEARING MJR-8000	1
6	UTJ-3005	SCREW D=3mm, L=5mm	2
7	IR-320500	GUIDE SPRING	1
8	IR-520101	SHIFT GUIDE	1
9	IR-310900	TENSION SPRING	1
10	IR-311002	TENSION SHAFT TF5420	1
11	IM-831700	BEARING	1
12	CEB-410499	CRESCENT SHAPED CLIP RING	1
13	NAG-302499	HEXAGONAL NUT	1
14	WBB-3007	WASHER, STEEL	2
15	THK-300399	HEXAGONAL SOCKET SET SCREW	2
16	UTJ-4008	SCREW D=4mm, L=8mm	2
17	EDM-301017	STEPPING MOTOR ASSEMBLY, DC 6V 5W	1
18	IR-510100	MOTOR BRACKET	1
19	IR-510300	JOINT CARD FEED SHAFT	1
20	IR-510270	CARD FEED SHAFT ASSEMBLY	1
21	IR-300806	STOPPER	1
22	RTW-304500	PLASTIC RIVET	1
23	IR-510601	CARD GUIDE (SMALL)	2
24	UTJ-3008	SCREW D=3mm, L=8mm	8
25	IR-510500	CARD GUIDE (RIGHT)	1
26	IR-510403	CARD GUIDE (LEFT)	1

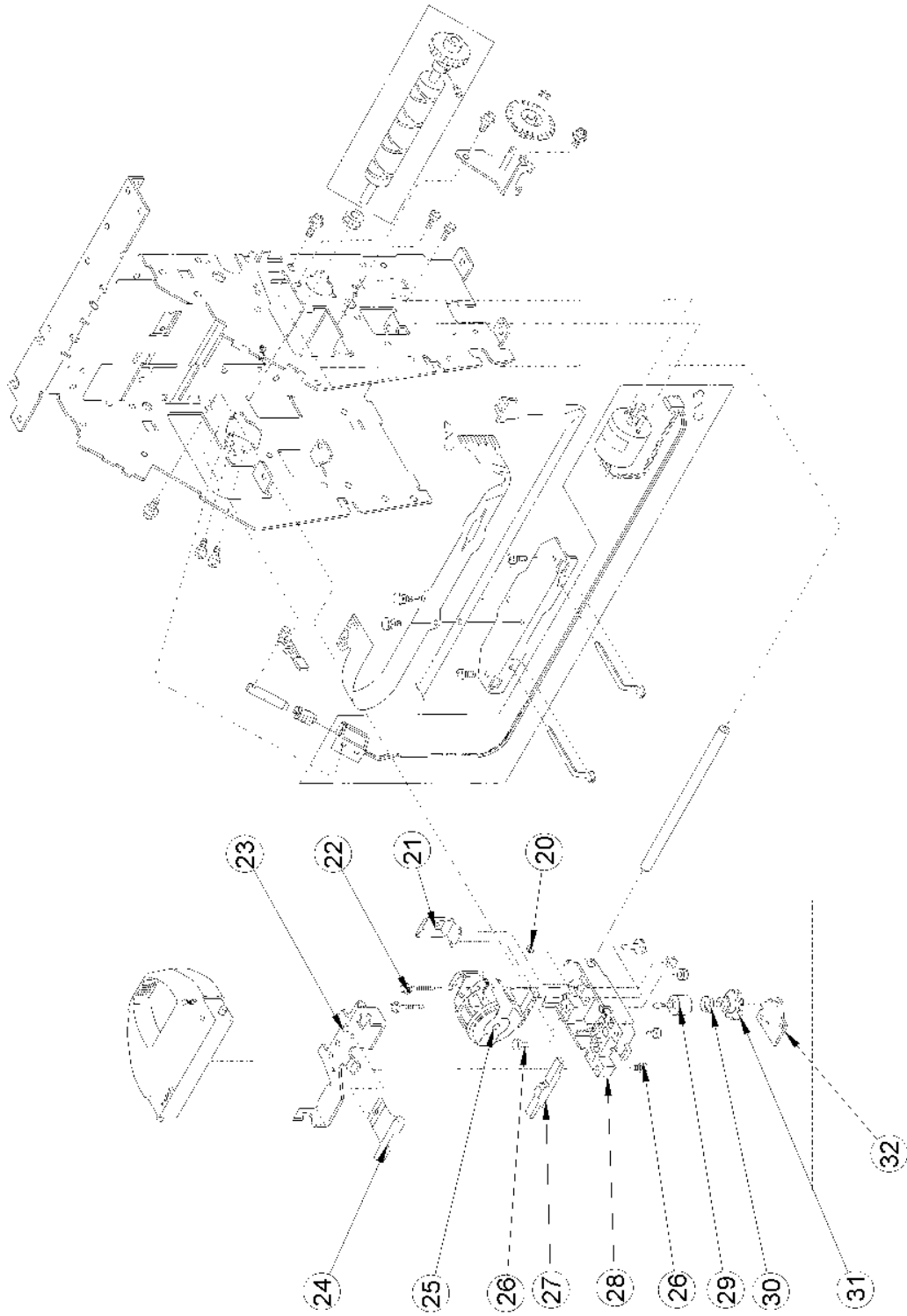
# Printer Section



## Printer Section

NO.	PART NO.	DESCRIPTION	QTY. PER
1	CE-310856	TWO COLOR RIBBON CASSETTE	1
2	IR-322801	COLOR CHANGE SPRING	1
3	EMG-823271	PLUNGER HCQ-FNM3B	1
4	IR-322704	COLOR CHANGE LEVER	1
5	STG-2604	SCREW-ZINC 2.6x4	4
6	SUG-4006	SCREW D=4mm, L=6mm	1
7	IR-320901	SHAFT RECEIVER	1
8	IR-320852	CYLINDER CAM ASSEMBLY	1
9	C-400400	STOPPER SCREW	1
10	IR-321303	IDLE GEAR	1
11	CAB-2306	CLIP T=2.3mm, l=6mm	1
12	SUG-300599	TP SCREW	1
13	IR-321251	GUIDE PLATE ASSEMBLY	1
14	RTB-305500	PLASTIC RIVET	1
15	IR-630870	COLOR CHANGE MAGNET ASSEMBLY	1
16	IR-520200	SLIDE SHAFT	1
17	AXI-003401	PRINT BRKT WITH PRINT HEAD	1
18	NAG-302499	HEXAGONAL NUT	2
19	IR-321905	CAM GUIDE	1

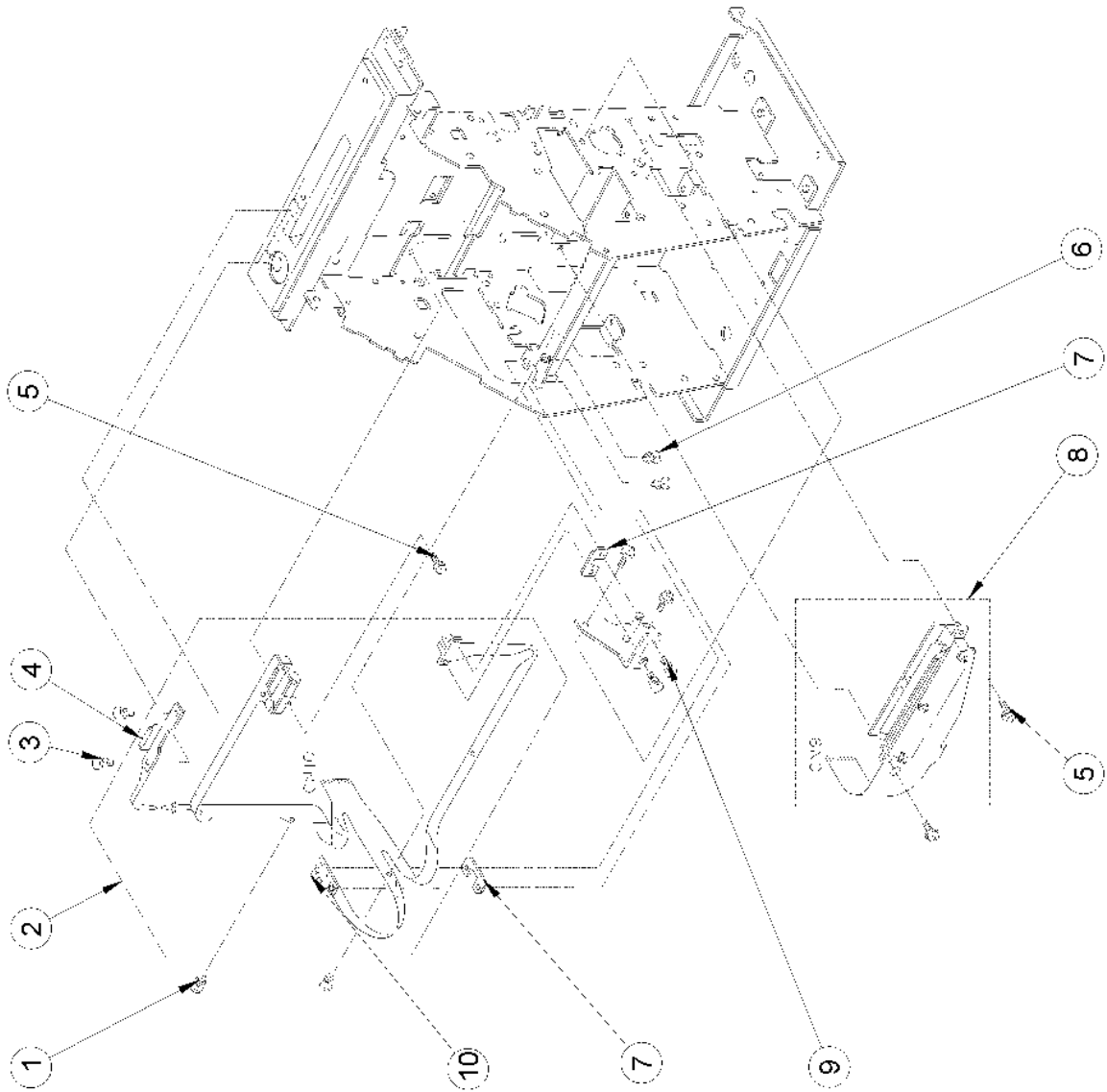
# Printer Section (Cont'd.)



## Printer Section (Cont'd.)

NO.	PART NO.	DESCRIPTION	QTY. PER
20	CAB-3006	CLIP T=3mm, l=6mm	1
21	SR-213101	RIBBON GUIDE (HIGH SPEED)	1
	IR-321704	RIBBON GUIDE (LOW SPEED)	2
22	SUG-3020	TP SCREW	1
23	IR-322002	RIBBON CASSETTE MOUNTING PLATE	1
24	IR-520400	HOLDER	1
25	CE-126902	DOT PRINTER HEAD ASSEMBLY (HIGH SPEED)	1
	CE-113372	DOT PRINTER HEAD ASSEMBLY (LOW SPEED)	1
26	STG-3005	SCREW D=3mm, L=5mm	1
27	IR-322602	SLIDING PLATE	1
28	IR-521002	PRINTER CARRIAGE (HIGH SPEED)	1
	IR-321804	CE 3080 MOUNTING PLATE (LOW SPEED)	1
29	IR-322203	RIBBON FEED SHAFT	1
30	IR-322501	CLUTCH RING	1
31	IR-321600	ONE WAY GEAR	1
32	IR-322350	RIBBON FEED BRACKET ASSEMBLY	1

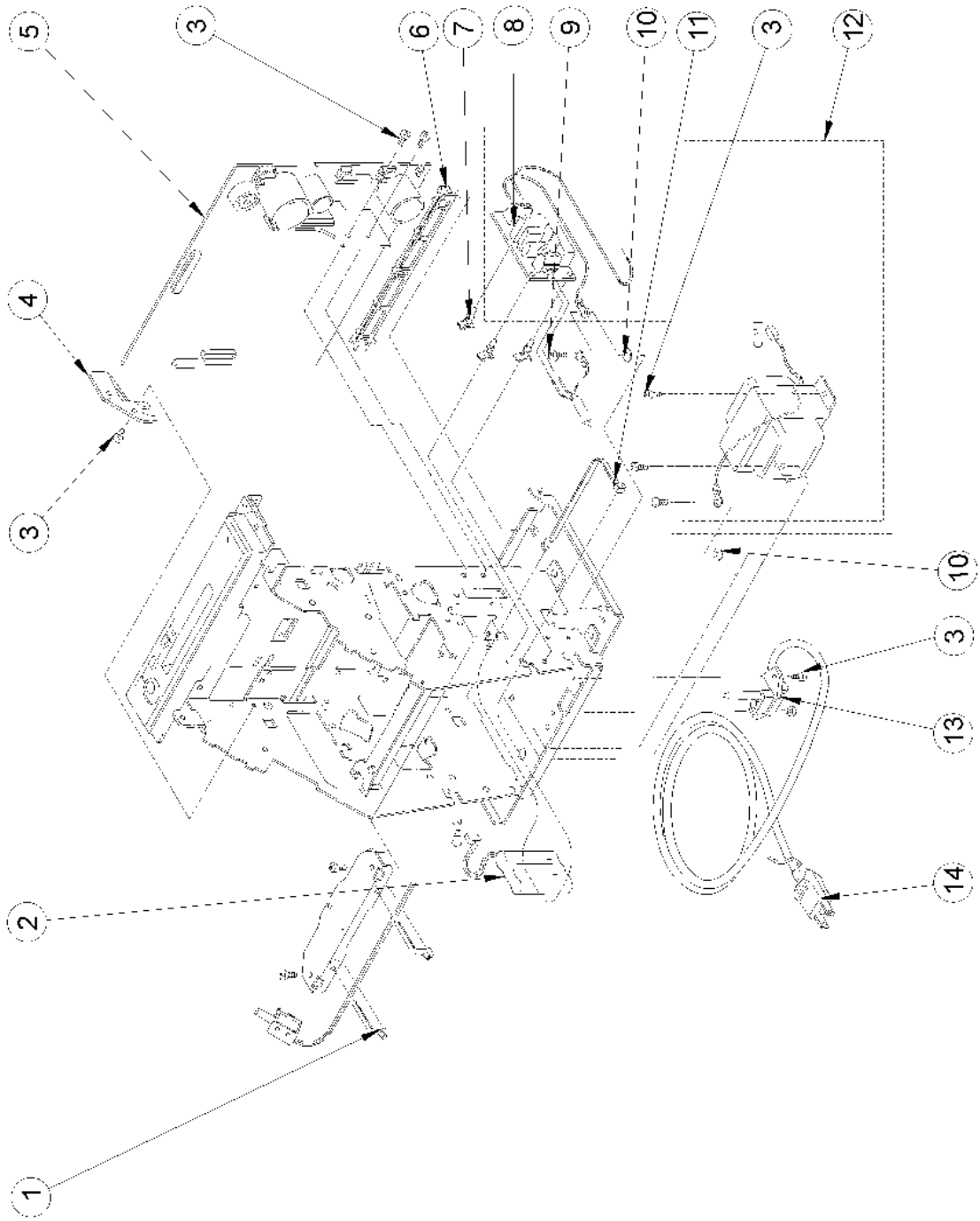
# Sensor Section



## Sensor Section

NO.	PART NO.	DESCRIPTION	QTY. PER
1	RTB-303500	PLASTIC RIVET	2
2	IR-630354	SENSOR (HTC) FLEXCABLE	1
3	RTW-305500	PLASTIC RIVET	2
4	ESW-811003	REED SWITCH RD-6-3847B212	1
5	SUG-3006	SCREW D=3mm, L=6mm	3
6	RTB-308000	PLASTIC RIVET	2
7	EIS-100110	INSULATOR	2
8	IR-510856	CARD READER ASSEMBLY	1
9	RTB-308000	PLASTIC RIVET C422900	2
10	ESN-120110	PHOTO SWITCH TLP800A (TOSHIBA)	1

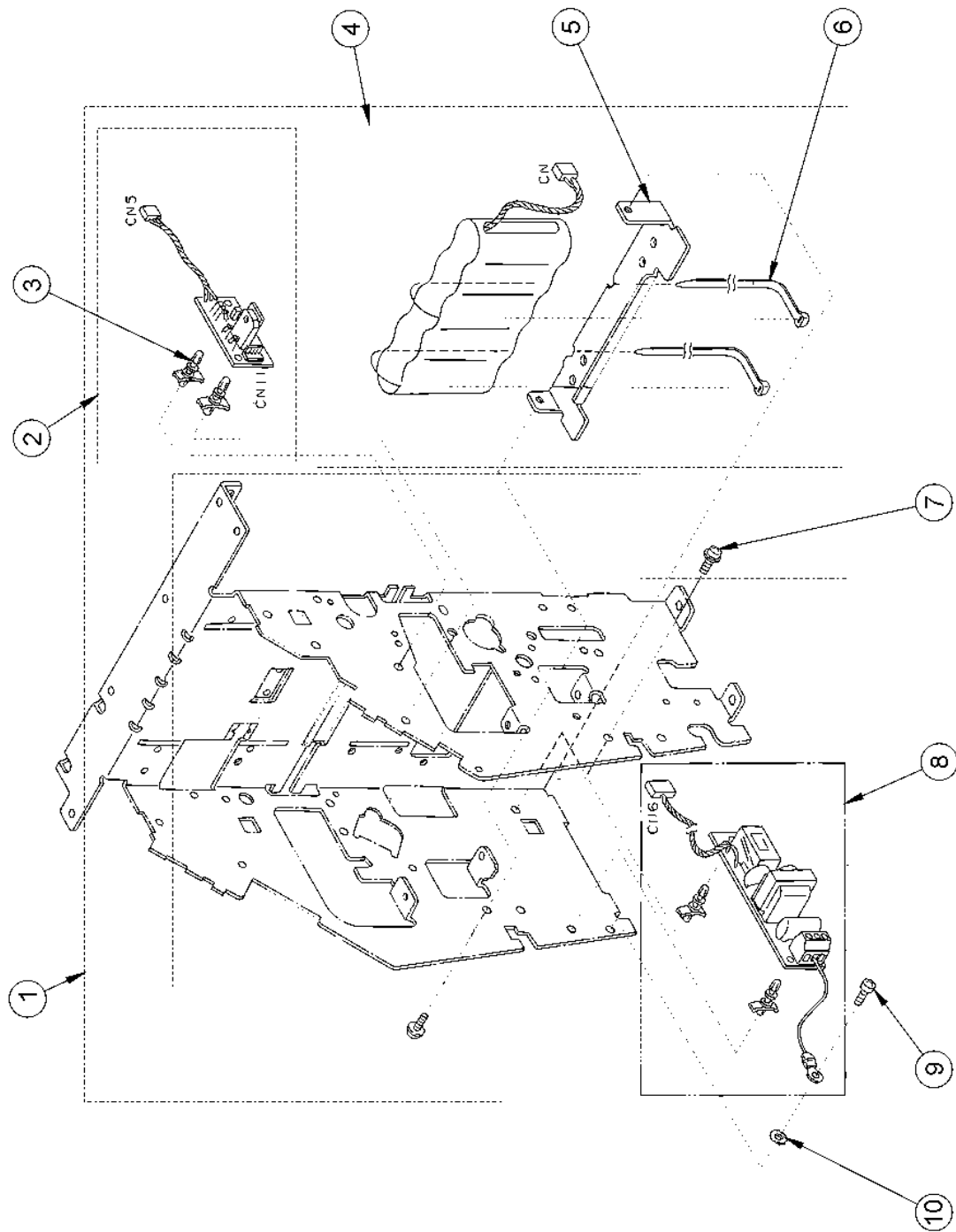
# Electric Section



## Electric Section

NO.	PART NO.	DESCRIPTION	QTY. PER
1	ECA-190011	CABLE TIE	1
2	IR-430850 EBA-233301	NI-CD BATTERY ASSEMBLY, MJR ONLY BATTERY	1
3	UTJ-4006	SCREW D=4mm, L=6mm	6
4	IR-501401	HOLDER (P.C.B.)	1
5	AXI-002151	JCU-3 PCB ASSEMBLY FOR MJR-8000 (HIGH SPEED)	1
	AXI-002150	JCU-2 MAIN PCB ASSEMBLY FOR MJR-8000 (LOW SPEED)	
	AIR-631654	MAIN PCB AJCL (LOW SPEED) FOR MJR-7000	
	AIR-631655	AJCL-2 PCB ASSEMBLY FOR MJR-7000 (HIGH SPEED)	
6	IR-203801	GUIDE (P.C.B.)	1
7	EIS-600200	SUPPORT (P.C.B.) KGLS-4S	1
8	AXI-404350	JPS-2 Power P.C.B. ASSEMBLY (FOR SURFACE MNT.)	1
	IR-630070	MJR-7000 JPS-1A PCB ASSEMBLY WITH TRANS. & TERMINAL	
9	UTJ-4008	SCREW D=4mm, L=8mm	3
10	WIB-4004	WASHER	1
11	ECA-190020	CABLE TIE	1
12	AXI-003600	TRANSFORMER ASSEMBLY	1
	IR-630952	MJR-7000 TRANSFORMER ASSEMBLY	
13	IR-302303	CORD HOLDER	1
14	EPG-402201	POWER SUPPLY CORD (3-3P)	1

# Optional Section



## Optional Section

NO.	PART NO.	DESCRIPTION	QTY. PER
1	IR-502071	FULL POWER RESERVE UNIT	1
2	IR-632171	JPR-1A P.C.B. WITH SUPPORT	1
3	EIS-600200	SUPPORT (P.C.B.)	2
4	IR-502050	NI-CD BATTERY ASSEMBLY WITH MOUNTING PLATE	1
5	IR-502002	MOUNTING PLATE (NI-CD BATTERY)	1
6	ECA-190050	CABLE TIE	2
7	SUG-4006	SCREW D=4mm, L=6mm	1
8	IR-632092	SIGNAL KIT FOR MJR-7000/8000	1
9	UT-J-4006	SCREW D=4mm, L=6mm	1
10	WIB-4006	TEETH LOCK WASHER	1

# Notes

---



# Central Time Clock

Since 1931

5-23 50th Avenue | Long Island City, NY 11101

P: 718.784.4900 F: 718-472-9491

[www.centraltimeclock.com](http://www.centraltimeclock.com)